

Product Overview

Suitable for treating a wide range of patient types, from neonatal to adult.

Offers a variety of ventilating modes, including APRV (Airway Pressure Release Ventilation), PRVC (Pressure-Regulated Volume Control), and NIV (Non-Invasive Ventilation).

Features a space-saving design with a collapsible high-resolution touch-screen display.

Configured with O₂ therapy functionality for supplemental oxygen delivery.

Streamlines the sterilization process with an innovative expiration valve disassembling concept.



iHope RV200 Transport Ventilator

Imported & Distributed



PT. Permana Putra Mandiri

TMII, Pintu 2 Atas, No. 43, Jl. Taman Mini Indonesia Indah, RT.8/RW.4, Lubang Buaya,
Kec. Cipayung, Kota Jakarta Timur, Daerah Khusus Ibukota Jakarta 13810

WhatsApp

0812 8058 8881
0812 8097 502

Telepon

021 841 5976
021 877 93819
021 840 7865

Email

marketing@alatkedokteran

resvent

Fuse	T3.15AH/250V
Number of Batteries	One or Two (Optional)
Battery Type	Build-in Lithium-ion Battery, 14.4VDC, 6900mAh
Battery Running Time	3 hours (1 Qty Battery) 6 hours (2 Qty Battery)

Communication interface

Specifications

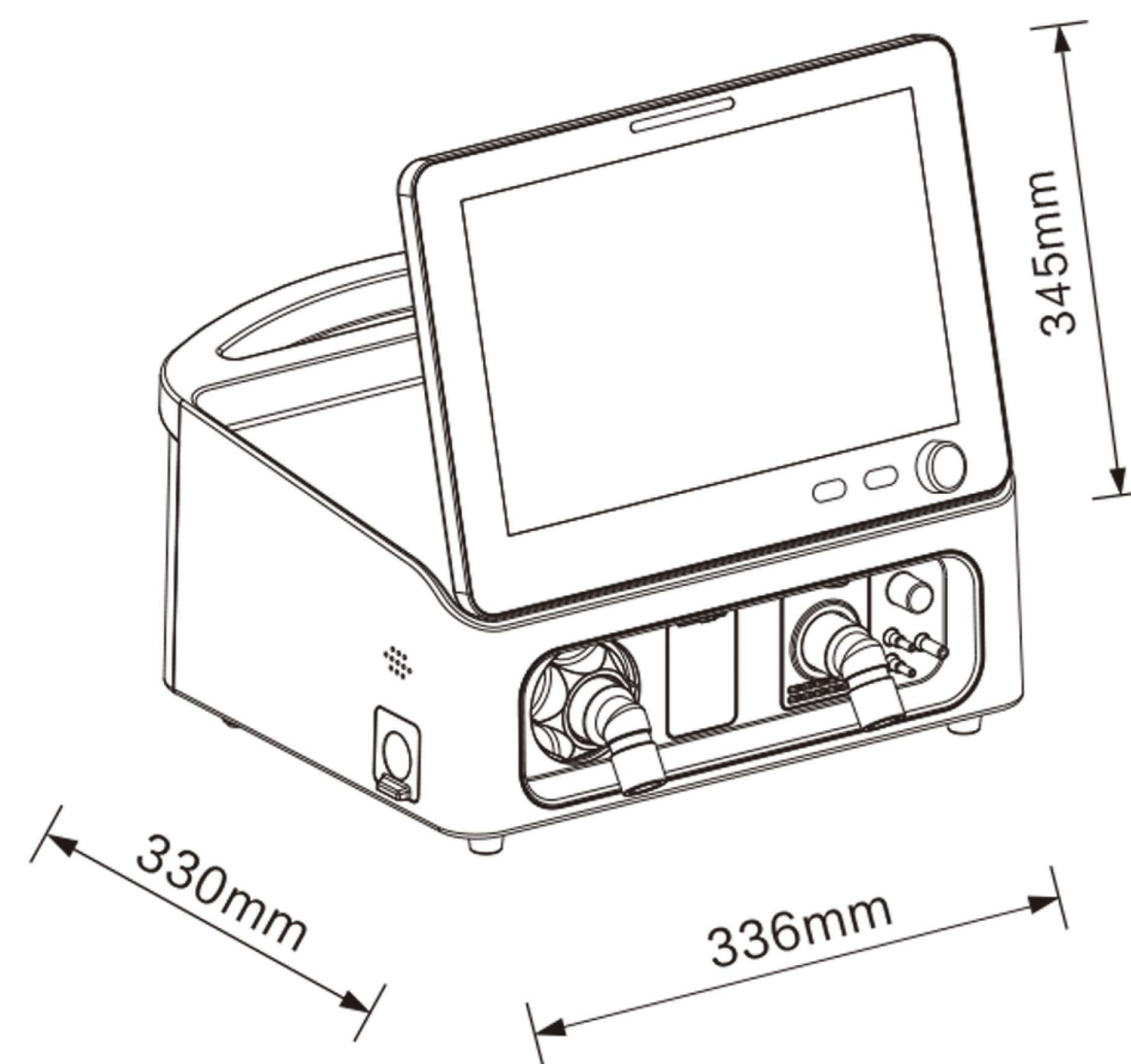
Communication Interface	HDMI, RS232, USB, Nurse call, CO ₂ Module Connector, SPO ₂ Module Connector
-------------------------	---

Value Added Functions

Specifications

100%O₂
Suction
Nebulization*
Manual Breath*
Inspiratory Hold*
Expiratory Hold*
PEEPi*
P0.1*
NIF*
PV Tool*

*Only available on RV200



iHope® RV Ventilator

DATASHEET

RV200



Physical Specifications

Specifications

Dimensions(L*W*H)	336mm * 330mm * 345mm 664mm * 600mm * 1310mm (with Trolley)
Weight	Approximately 9.9kg (Main Unit) , Approximately 41.0kg (with Trolley)

Display

Specifications

Display Size	12.1inch-TFT Touch Screen
Display Resolution (H) x (V)	1280*800pixels
Brightness	Adjustable

Ventilation Specifications

Specifications

Patient Type	Adult, Pediatric, Neonatal (optional)
Invasive Ventilation Mode	<ul style="list-style-type: none"> • VCV (Volume Control Ventilation) • PCV (Pressure Control Ventilation) • VSIMV (Volume Synchronized Intermittent Mandatory Ventilation) • PSIMV (Pressure Synchronized Intermittent Mandatory Ventilation) • CPAP/PSV (Continuous Positive Airway Pressure/Pressure Support Ventilation) • PRVC (Pressure Regulated Volume Control) • V+SIMV (PRVC+SIMV) • BPAP* (Bilevel Positive Airway Pressure) • APRV* (Airway Pressure Release Ventilation) • Apnea Ventilation
Non-invasive Ventilation Mode	<ul style="list-style-type: none"> • PCV (Pressure Control Ventilation) • CPAP/PSV (Continuous Positive Airway Pressure/Pressure Support Ventilation) • BPAP *(Bilevel Positive Airway Pressure) • APRV *(Airway Pressure Release Ventilation) • PSIMV (Pressure Synchronized Intermittent Mandatory Ventilation)

*Only available on RV200

resvent

Resvent Medical Technology co.,Ltd.

602, Building B&C, Gaoxinqi Industrial Park phase I, Liuxian
No.1 Road, Baoan District, Shenzhen 518100, P. R. CHINA
0086-755-23027370-808
info@resvent.com
www.resvent.com



resvent

Controlled Parameters

Specifications	Adult, Pediatric	Neonatal
O ₂ %	21–100%	21–100%
VT (Tidal Volume)	100–2000mL (Adult) 20–300mL (Pediatric)	2–300mL
f	1–80bpm	1–150bpm
f–SIMV	1–80bpm	1–150bpm
I:E	1:10 –4:1	1:10 –4:1
T–insp.	0.2–10s	0.20–10s
T–slope	0–2s	0–2s
T–high	0.2–30s	0.2–3s
T–low	0.2–30s	0.2–30s
T–pause	5%–60% , Off	5%–60% , Off
ΔP–insp.	5–80cmH ₂ O	3–80cmH ₂ O
ΔP–supp.	0–80cmH ₂ O	0–80cmH ₂ O
P–high	0–80cmH ₂ O	0–80cmH ₂ O
P–low	0–45cmH ₂ O	0–25cmH ₂ O
PEEP	1–45cmH ₂ O , Off	1–25cmH ₂ O , Off
Flow Trigger	0.5–15L/min	0.1–5L/min
Pressure Trigger	–10 –(–0.5)cmH ₂ O	/
Exp%	10–85% , Auto	10–85% , Auto

Apnea Ventilation

Specifications	
VT–apnea	Adult: 100–2000mL Pediatric: 20–300mL Neonatal: 2–300mL
ΔP–apnea	5–60cmH ₂ O
f–apnea	1–80bpm
Apnea T–insp.	0.2–10s

Sigh

Specifications	
Sigh Switch	On, Off
Interval	20s–180min
Cycles Sigh	1–20
Δint.PEEP	0– 45 cmH ₂ O , Off

Synchronized Tube Resistance Compliance

Specifications	
Tube Type	ET Tube, Trach Tube, Disable STRC
Tube I.D.	Adult: 5.0–12.0mm Pediatric: 2.5–8.0mm
Compensate	0–100%
Expiration Compensation Switch	On, Off

Monitored Parameters

Numeric		
Paw	Vte	Ri
P–peak	VTi	C–dyn.
P–plat.	VTe–spn.	C–stat.
P–mean	VTe/IBW	RC–exp.
PEEP	FIO ₂	WOB

MV	f–total	RSBI
MV–leak	I:E	Continuous Flow (O ₂ Therapy)
MV–spn.	Re	

Real Time Graphics

Pressure–time Waveform	Pressure–volume Loop
Flow–time Waveform	Flow–time Loop
Volume–time Waveform	Pressure–flow Loop

Alarm Settings

Specifications	Type	Adult	Pediatric	Neonatal
Tidal Volume	High	110–4000mL, Off	25–600mL, Off	4–600mL, Off
	Low	50–4000ml, Off	10–600mL, Off	1–590mL, Off
Minute Volume	High	0.2–100.0L/min	0.2–60.0L/min	0.12–50.0L/min
	Low	0.1–50.0L/min	0.1–30.0L/min	0.02–30.0L/min
Airway Pressure	High	10–65cmH ₂ O	10–65cmH ₂ O	10–65cmH ₂ O
	Low	10–63cmH ₂ O , Off	Off , 10–63cmH ₂ O	Off , 10–63cmH ₂ O
Frequency	High	1– 90bpm , Off	1– 90bpm , Off	1~160bpm , Off
	Low	1– 88bpm , Off	1– 88bpm , Off	1–158bpm , Off
O ₂ Concentration	High	20–100%	20–100%	20–100%
	Low	18–98%	18–98%	18–98%
Apnea Alarm Time	Low	5–60s	5–60s	5–60s

O₂ Therapy

Specifications	O ₂ %	Flow
Controlled Parameters	21–100% (Increments of 1%)	4–60L/min
Controlled Accuracy	± (3vol.% +1% of Setting)	± (2L/min+10% of Setting) (BTPS)

Trend & Record

Specifications	
Type	Tabular, Graphic
Length	72 hours
Content	Monitor Parameters
Max Log	20000
Screen Capture	500

Environmental Specifications

Specifications	Operating	Storage and transport
Temperature	5–40°C	–20 – 60°C , O ₂ Sensor: –20 – 50°C
Relative Humidity	10–95%	10–95%
Barometric Pressure	62–106kPa	50–106kPa

Gas Supply

Specifications	
Gas Supply	Medical–grade Oxygen
Pipe Connector	NIST or DISS
Gas Supply Pressure	280–600kPa

Power & Battery Backup

Specifications	
External AC Power Supply Input Voltage	100–240V
Input Frequency	50/60Hz
Input Current	2.5A Max